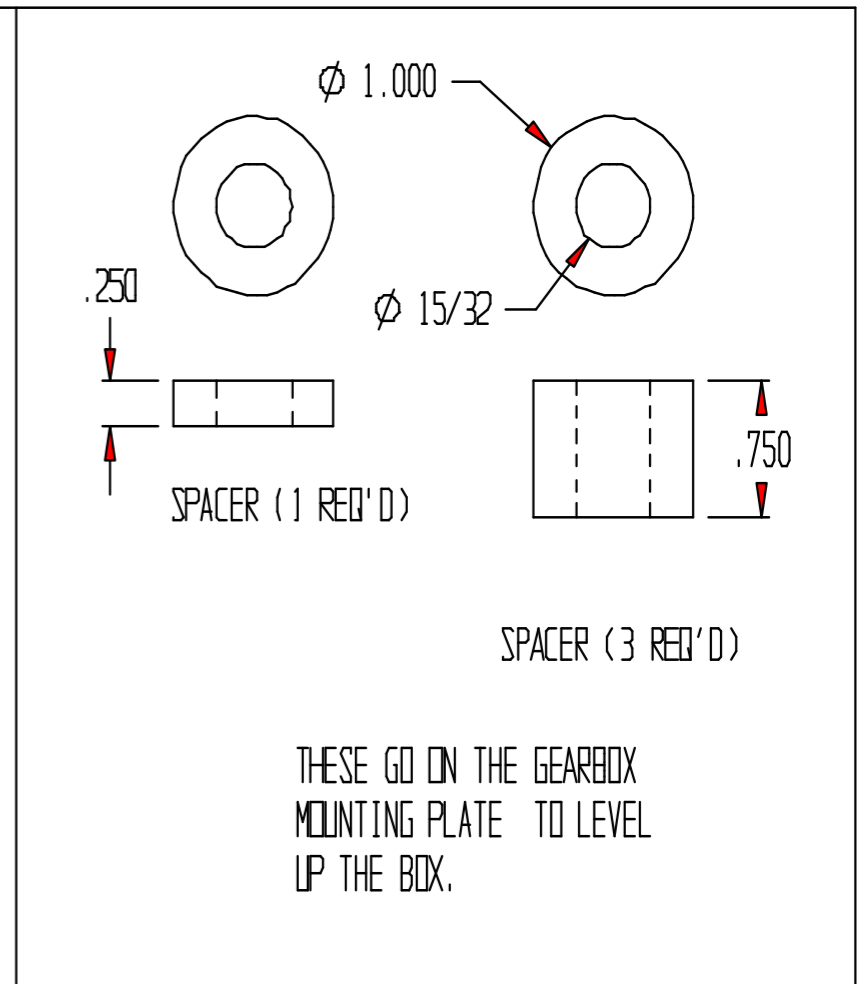


FRAME ENCLOSURE 3/16" THICK
(2 REQ'D). I BOXED IN BOTH SIDES
OF THE FRAME SO I COULD PUT A
STEERING BRACE ON THE BOX.

KNOTCH TO FRONT
OF JEEP TO CLEAR
CURVE IN BOTTOM
OF FRAME.



THESE GO ON THE GEARBOX
MOUNTING PLATE TO LEVEL
UP THE BOX.